

6.0

5.0

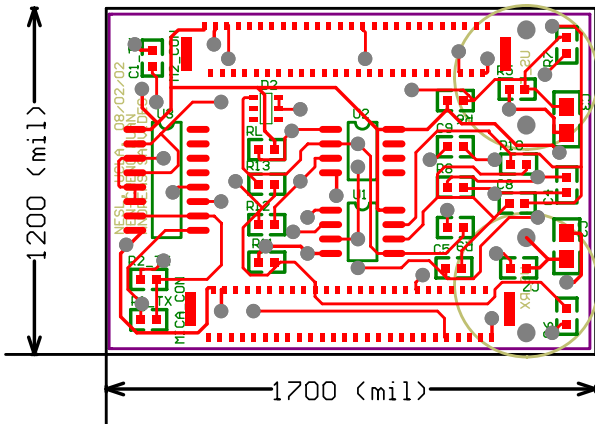
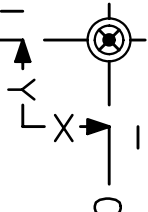
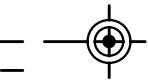
4.0

3.0

2.0

1.0

0



ENGINEER:		TITLE: Custom Made Board	
PHONE:		PART NO.:	
ENGINEER:		REV: 01	
PHONE:		LAYER: Mechanical Lay	
FILE NAME: us_tx_rx.PCB			

1.0

2.0

3.0